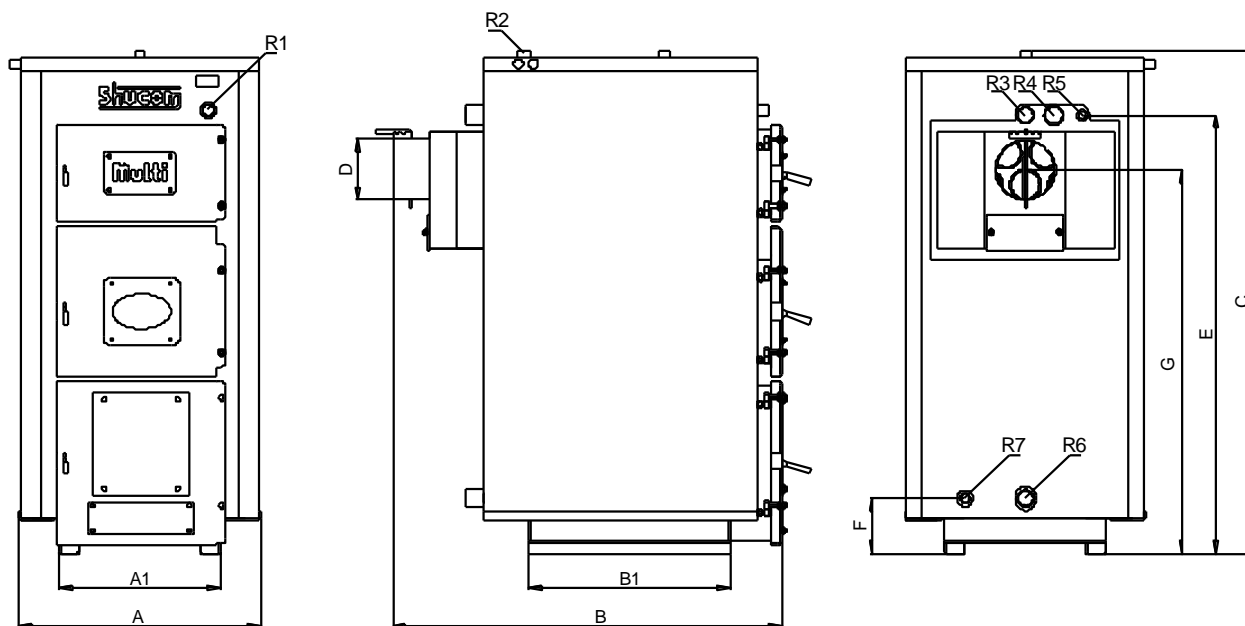


TABLE WITH CHARACTERISTIC MEASURES
FOR BOILERS SUKOPLAM MULTI 20-80kW



Boiler	Boiler power (kW)		CONNECTION DIMENSIONS							BOILER DIMENSIONS (mm)							Water content (l)		
	Wood	Oil	R1	R2	R3	R4	R5	R6	R7	A1	B1	A	B	C	D	E		F	G
Plam 20 MULTI	20	22	3/4"	1"	5/4"	5/4"	1/2"	5/4"	1/2"	350	425	550	880	1200	160	1015	170	880	115
Plam 25 MULTI	25	27	3/4"	1"	5/4"	5/4"	1/2"	5/4"	1/2"	400	500	600	960	1305	160	1015	170	985	140
Plam 30 MULTI	30	34,5	3/4"	1"	5/4"	5/4"	1/2"	5/4"	1/2"	470	530	670	960	1335	160	1150	170	995	160
Plam 40 MULTI	40	46	3/4"	1"	5/4"	5/4"	1/2"	5/4"	1/2"	470	580	670	1010	1335	180	1150	170	995	185
Plam 50 MULTI	50	57,5	3/4"	1"	5/4"	5/4"	1/2"	5/4"	1/2"	500	650	700	1080	1345	180	1150	170	995	200
Plam 65 MULTI	65	74,8	3/4"	1"	6/4"	5/4"	1/2"	6/4"	1/2"	530	750	730	1180	1345	200	1140	170	995	265
Plam 80 MULTI	80	92	3/4"	1"	6/4"	5/4"	1/2"	6/4"	1/2"	530	800	730	1230	1390	200	1205	170	1045	300

*The manufacturer reserves the right to change the dimensions

Boiler	Necessary draft (Pa)	Work pressure (bar)	Boiler weight (kg)	Heating area (m ²)			Approximate chimney dimensions	
				A	B	C	Diameter (mm)	Height (m)
Plam 20 MULTI	27	2,5	250	100	135	190	160	6
Plam 25 MULTI	28	2,5	280	125	168	250	160	6
Plam 30 MULTI	28	2,5	310	150	200	300	160	7
Plam 40 MULTI	28	2,5	350	200	270	400	160/180	9/7
Plam 50 MULTI	30	2,5	385	250	335	500	180/200	10/8
Plam 65 MULTI	34	2,5	440	325	435	650	220	10
Plam 80 MULTI	37	2,5	490	400	536	800	220	12

NOTE:

A - poorly insulatet objects with room hight up to do 3m

B - well insulatet objects with room hight up to 3m (5cm insulation)

C - extremely well insulatet objects with room hight up to 3m (10cm insulation)